



CRYOGENIC APPLICATION GUIDE

Quality flow control products paired with expert advice



- GLOBE VALVES
- GATE VALVES
- CHECK VALVES
- RELIEF VALVES
- HIGH PRESSURE VALVES
- NEEDLE VALVES
- DIVERTERS
- REGULATORS
- MANIFOLDS
- CYLINDER
- EQUIPMENT



You do not thrive for more than 100 years because you are lucky.

It takes quality products, constant innovation, and above all a dedication to the customer.

From a pioneer in the development of oxygen regulators to a global leader delivering a comprehensive line of flow control and safety products, RegO has always kept our customers' interests first.

Quality matters. Industrial gas applications have no room for leaks. That is why we design and manufacture in the U.S., test 100% of our products, and can offer a 10-year warranty. RegO products offer performance you can rely on.

Innovative products, processes and people. We invest in technology and training to deliver flow control products designed to reduce your maintenance and replacement costs, and ensure an efficient, safe work flow.

When our customers thrive, we do too. Our experienced team can provide technical support and design assistance. We are here to help in any way, every day.



Contents

Air separation unit (ASU) products	3
Bulk tank storage	4
Transport trailers	6
Microbulk tank storage	8
Liquid cylinders	10
Liquid cryogenic delivery systems.....	12
Gas phase regulation stations	13
Electric transformer nitrogen delivery systems.....	14
High pressure gas tube storage and transport.....	15
High and medium pressure manifold and delivery systems.....	16
Gas delivery systems.....	17
Carbon dioxide delivery systems	18
Product certifications.....	19





210 SERIES

SK SERIES

232 SERIES

GLOBE VALVES



110 SERIES

GATE VALVES



886 SERIES



CG SERIES

CHECK VALVES

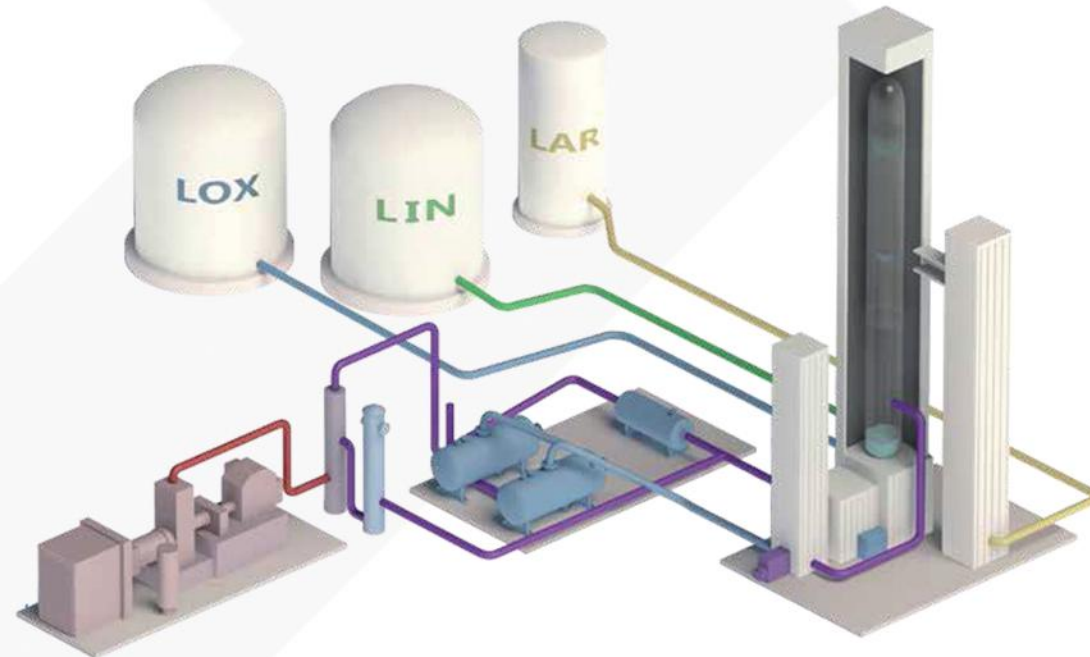


AR SERIES



9400 SERIES

PRESSURE RELIEF VALVES



Air separation unit (ASU) products

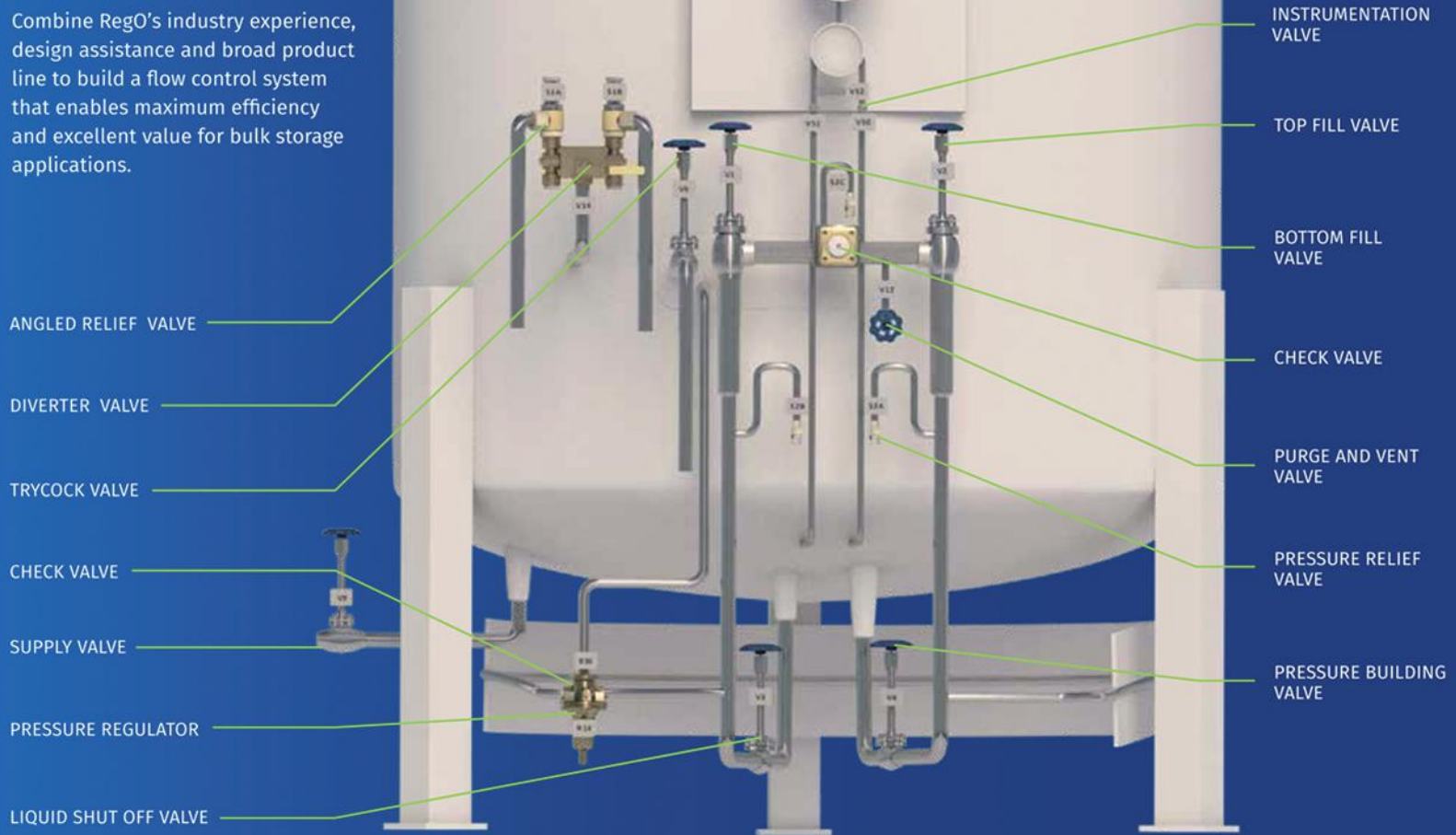
24/7 production schedules demand 24/7 toughness

RegO valves, regulators and safety devices are engineered to stand up to the toughest environments and provide years of reduced maintenance and worry-free operation. When you have been designing and manufacturing your own products for more than 100 years, you pay attention to the details—like anti-corrosive, ergonomic hand wheels and leak-proof valves that deliver superior flow rates.

Bulk tank storage

Breadth of line meets depth of knowledge

Combine RegO's industry experience, design assistance and broad product line to build a flow control system that enables maximum efficiency and excellent value for bulk storage applications.



The illustrations in this application guide are intended to inform a professional installer/system designer where our products are generally installed on certain containers or applications. These illustrations are not intended for and must not be used for system design.

BULK TANK PRODUCTS



ANGLED PRESSURE RELIEF VALVE
AR SERIES



NEEDLE VALVE
CMM SERIES



DIVERTER VALVE
DR SERIES



GLOBE VALVE
SK SERIES



GLOBE VALVE
BB SERIES



GLOBE VALVE
SKB SERIES



FILL MANIFOLD ASSEMBLY
CFM, AFM, SFM, PFM SERIES



PRESSURE RELIEF VALVE
9400 SERIES



COMBO REGULATOR
CB504 SERIES

The illustrations in this application guide are intended to inform a professional installer/system designer where our products are generally installed on certain containers or applications. These illustrations are not intended for and must not be used for system design.

APPLICATION

Transport trailers

Where safety and reliability intersect

RegO products are meticulously designed, manufactured and 100% tested in the U.S. to deliver quality performance mile after mile. We make loading, transporting and unloading efficient and safe to keep you rolling.

EMERGENCY SHUT OFF VALVE

RECIRCULATION VALVE

PRESSURE BUILDER VALVE

OUTLET PUMP VALVE

BOTTOM FILL VALVE

TOP FILL VALVE

INSTRUMENTATION VALVE

ANGLED RELIEF VALVE

VENT VALVE

ROAD VALVE

BACK PRESSURE REGULATOR

PRESSURE BUILDING CHECK VALVE

INLET PUMP VALVE

DISCHARGE CHECK VALVE

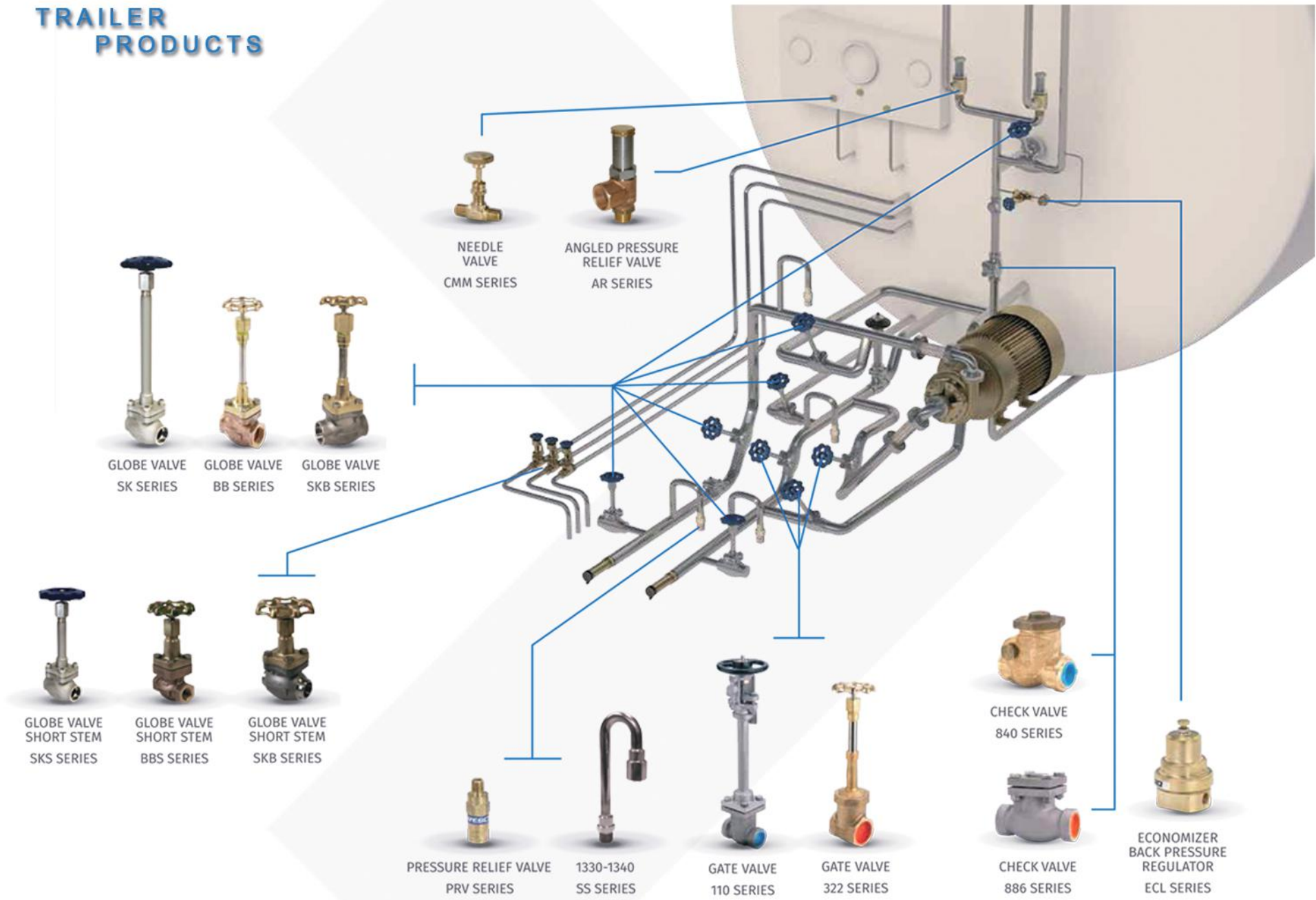
PRESSURE RELEASE VALVE

PURGE VALVE

FULL TRYCOCK

The illustrations in this application guide are intended to inform a professional installer/system designer where our products are generally installed on certain containers or applications. These illustrations are not intended for and must not be used for system design.

TRAILER PRODUCTS



The illustrations in this application guide are intended to inform a professional installer/system designer where our products are generally installed on certain containers or applications. These illustrations are not intended for and must not be used for system design.

Microbulk tank storage

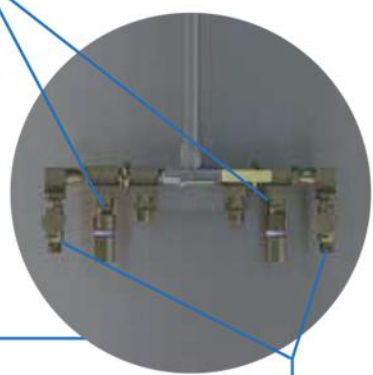
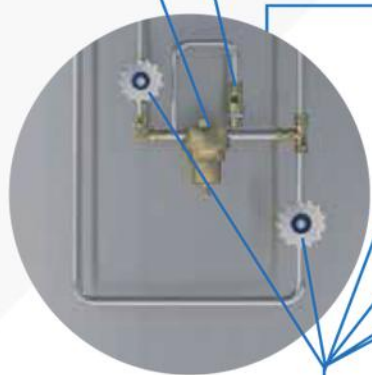
Quality comes in all sizes

Microbulks are ideal for operations that have outgrown cylinder storage solutions or need flexible installation. RegO quality assures a safe, steady supply—no matter what your storage needs are.



The illustrations in this application guide are intended to inform a professional installer/system designer where our products are generally installed on certain containers or applications. These illustrations are not intended for and must not be used for system design.

MICROBULK TANK PRODUCTS



The illustrations in this application guide are intended to inform a professional installer/system designer where our products are generally installed on certain containers or applications. These illustrations are not intended for and must not be used for system design.

Liquid cylinders

We do not freeze under pressure

Cylinders can take a beating in transport and everyday use. RegO valves are the most widely used in the industry, and deliver a pressure-sealed barrier to avoid freeze-up and maintain constant flow. The robust design prevents maintenance requirements and avoids downtime, while safeguarding against over-torquing for long-lasting operation, with lower operational costs.

Rated for liquid oxygen service per CGA G-4.1.

PRESSURE BUILDING VALVE

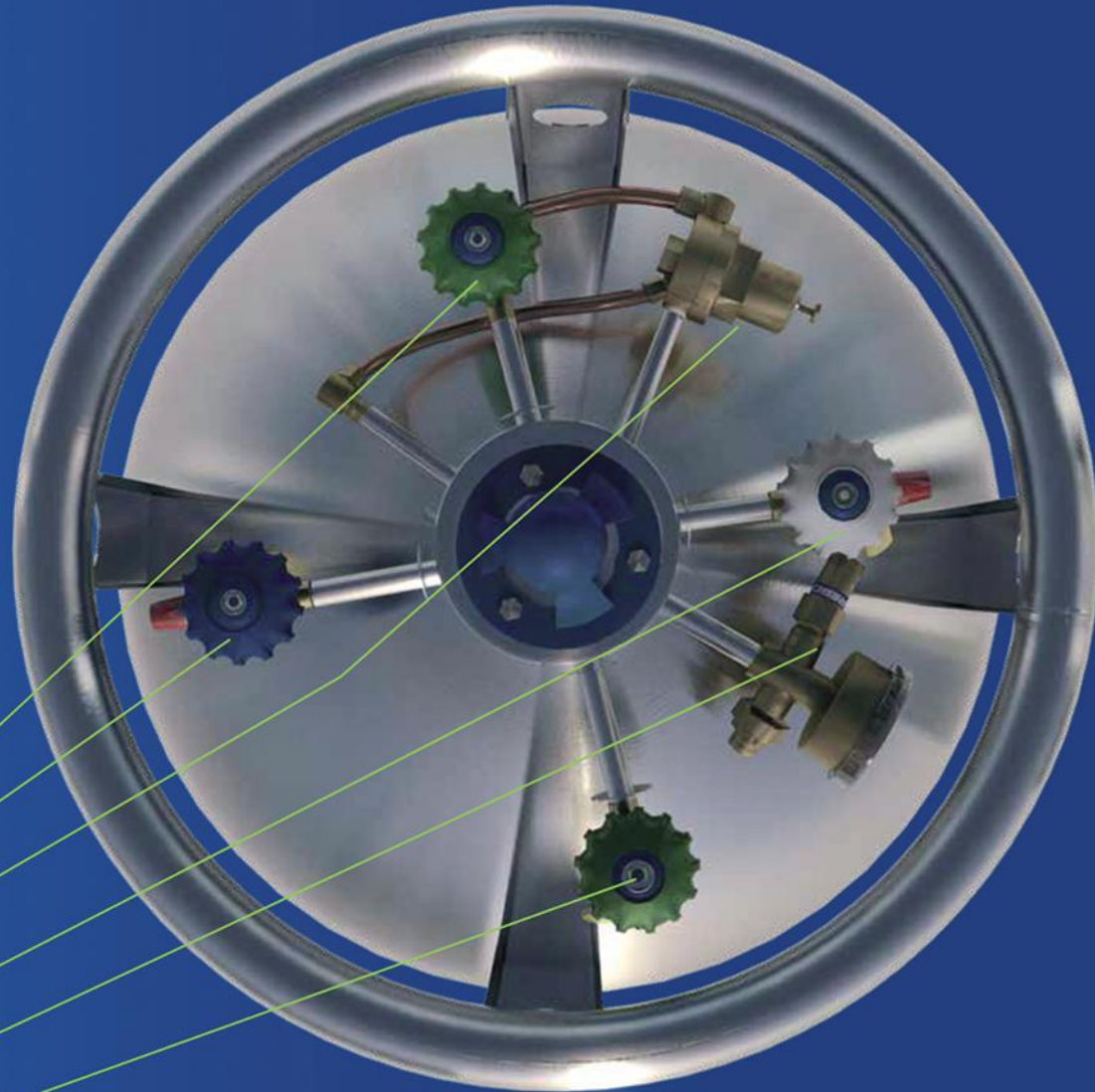
LIQUID USE VALVE

ECONOMIZER/ PRESSURE BUILDING REGULATOR

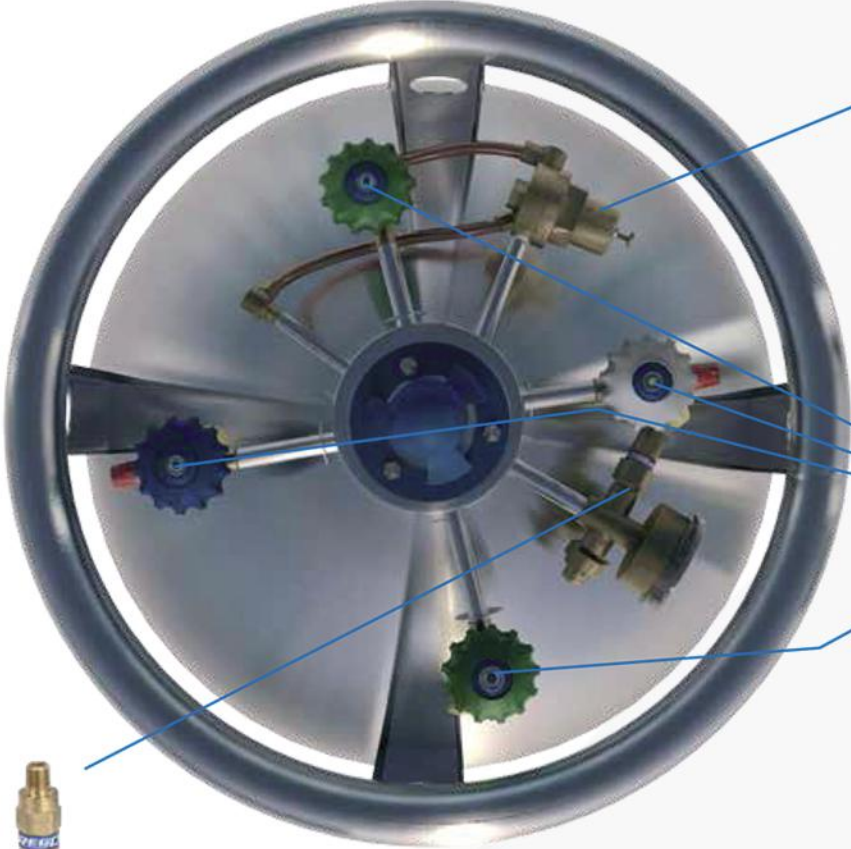
VENT VALVE

PRESSURE RELIEF VALVE

GAS USE VALVE



LIQUID CYLINDER PRODUCTS



PRESSURE RELIEF VALVE
PRV SERIES

COMBO REGULATOR
CBC/CBH SERIES



SHUT OFF VALVES
T9460 SERIES



The illustrations in this application guide are intended to inform a professional installer/system designer where our products are generally installed on certain containers or applications. These illustrations are not intended for and must not be used for system design.

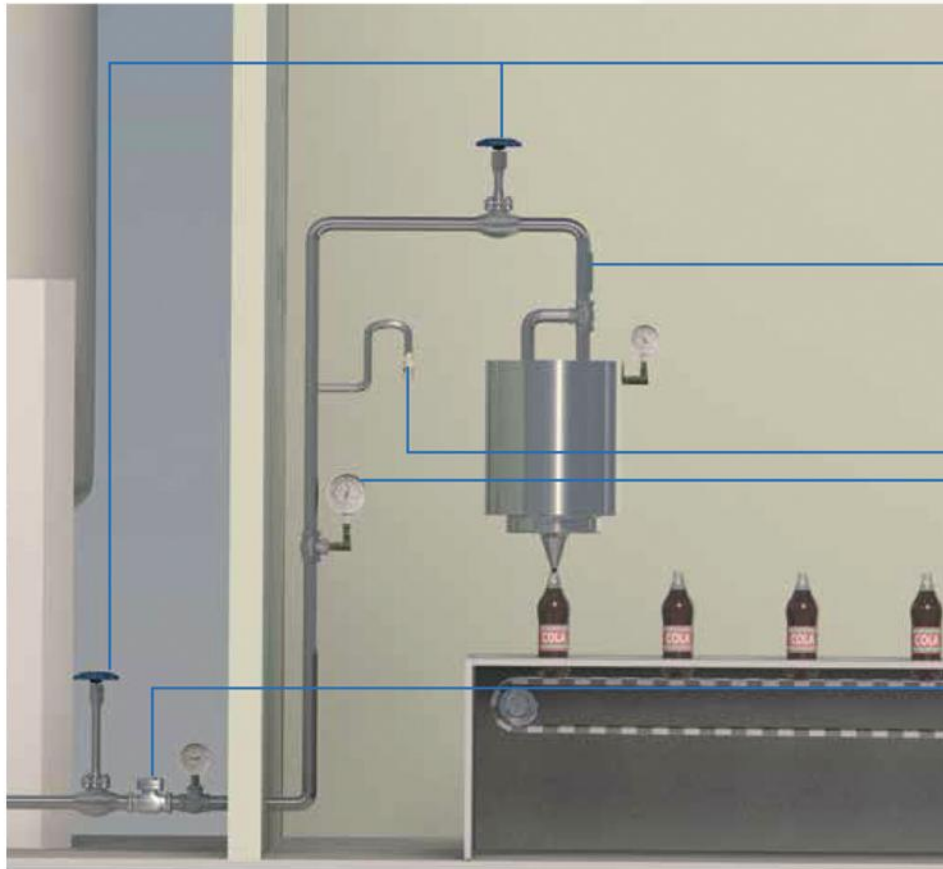
Liquid cryogenic delivery systems

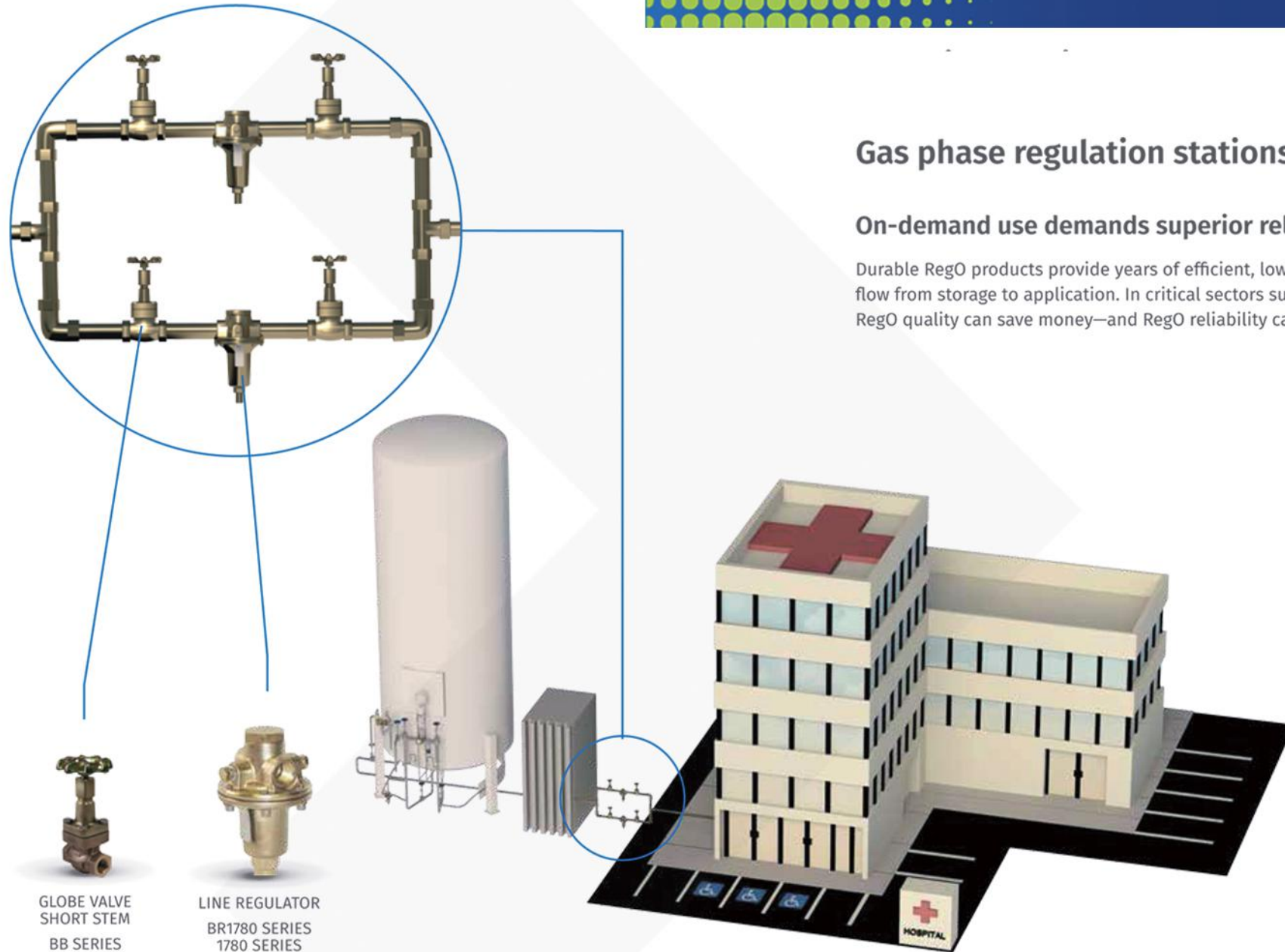
The key to fast freezing and fresher foods

Chilling, freezing, preservation and carbonation are just some of the ways cryogenic gases help preserve and transport foods and beverages. RegO flow control products are constructed for superior performance in demanding manufacturing environments.



NITROGEN INJECTION SYSTEMS FOR FOOD PRESERVATION AND FAST FREEZING





The illustrations in this application guide are intended to inform a professional installer/system designer where our products are generally installed on certain containers or applications. These illustrations are not intended for and must not be used for system design.

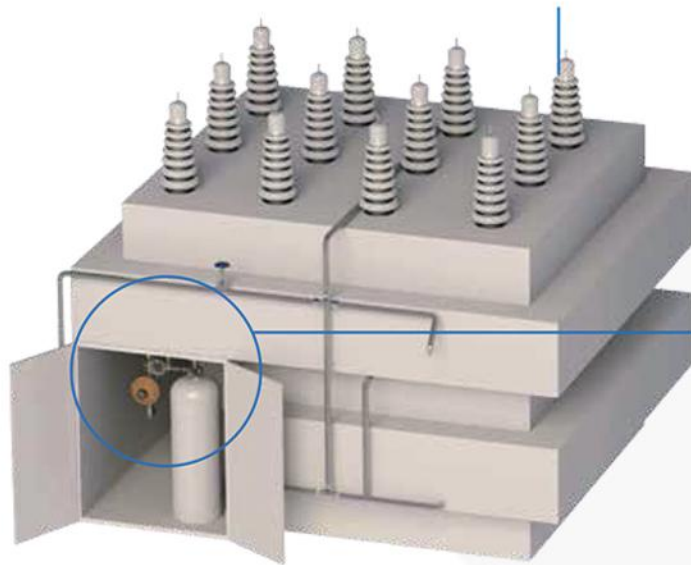
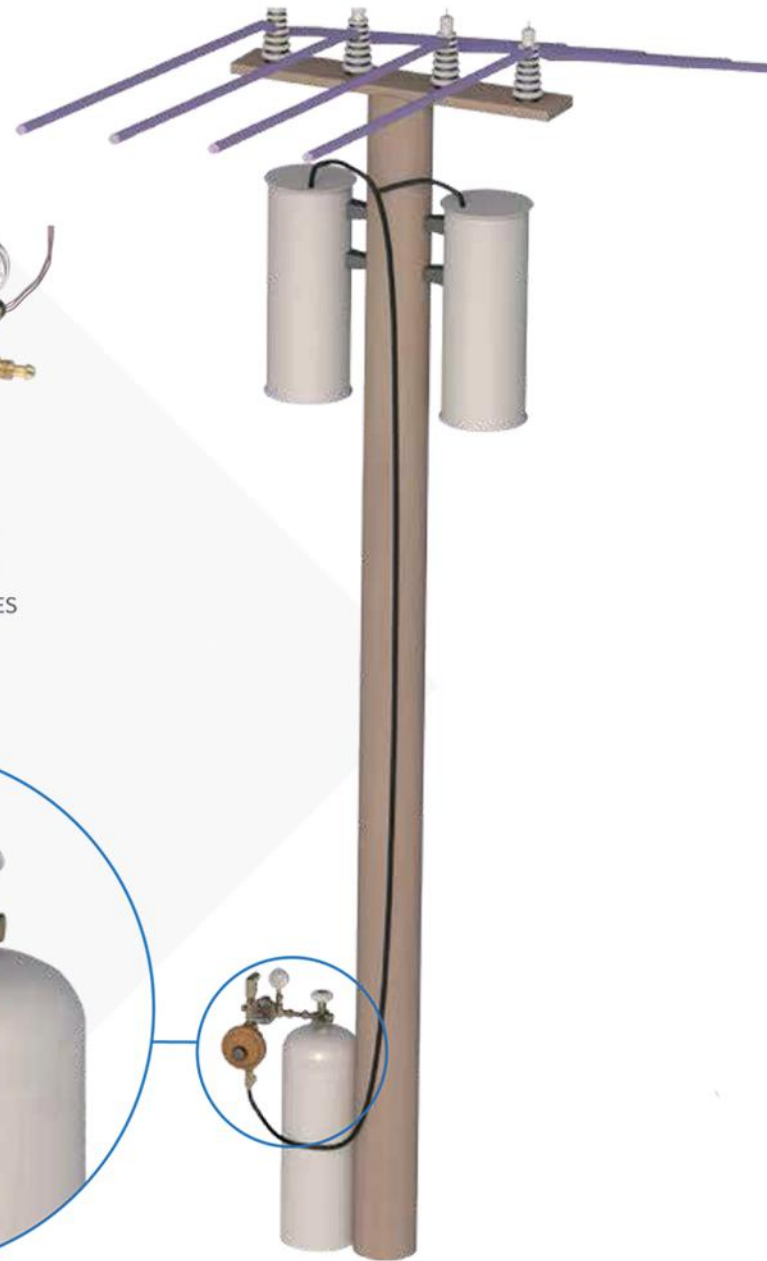
Electric transformer nitrogen delivery systems

Keep the power flowing with RegO

RegO Inertrol™ systems deliver the constant supply of nitrogen needed to provide an inert gas seal in transformer applications, and prevent oxidation and humidity in the transformer oil—extending the lifetime of the unit. Built to withstand the elements and to safely adjust for changes in temperature, RegO systems can be integrated to trigger alerts for unexpected changes in pressure.



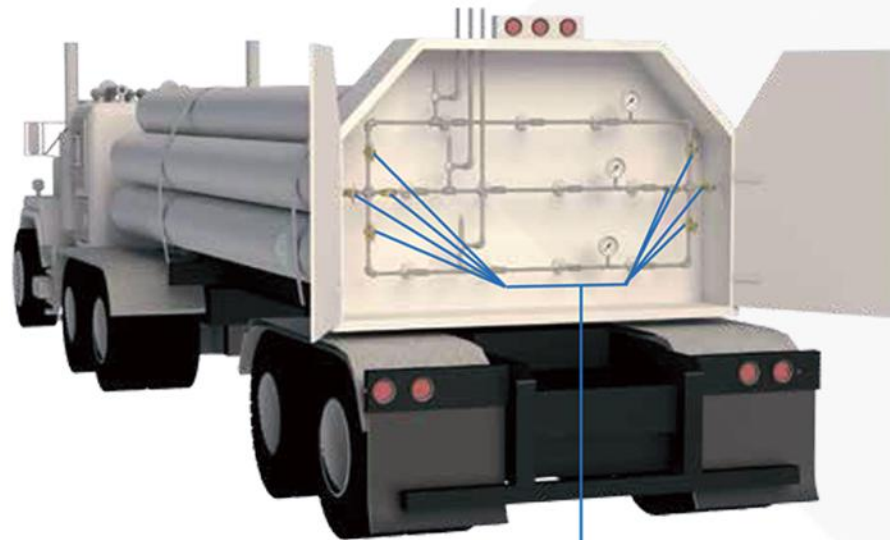
INERTROL OUTFITS
4286, 4289, 4291 SERIES



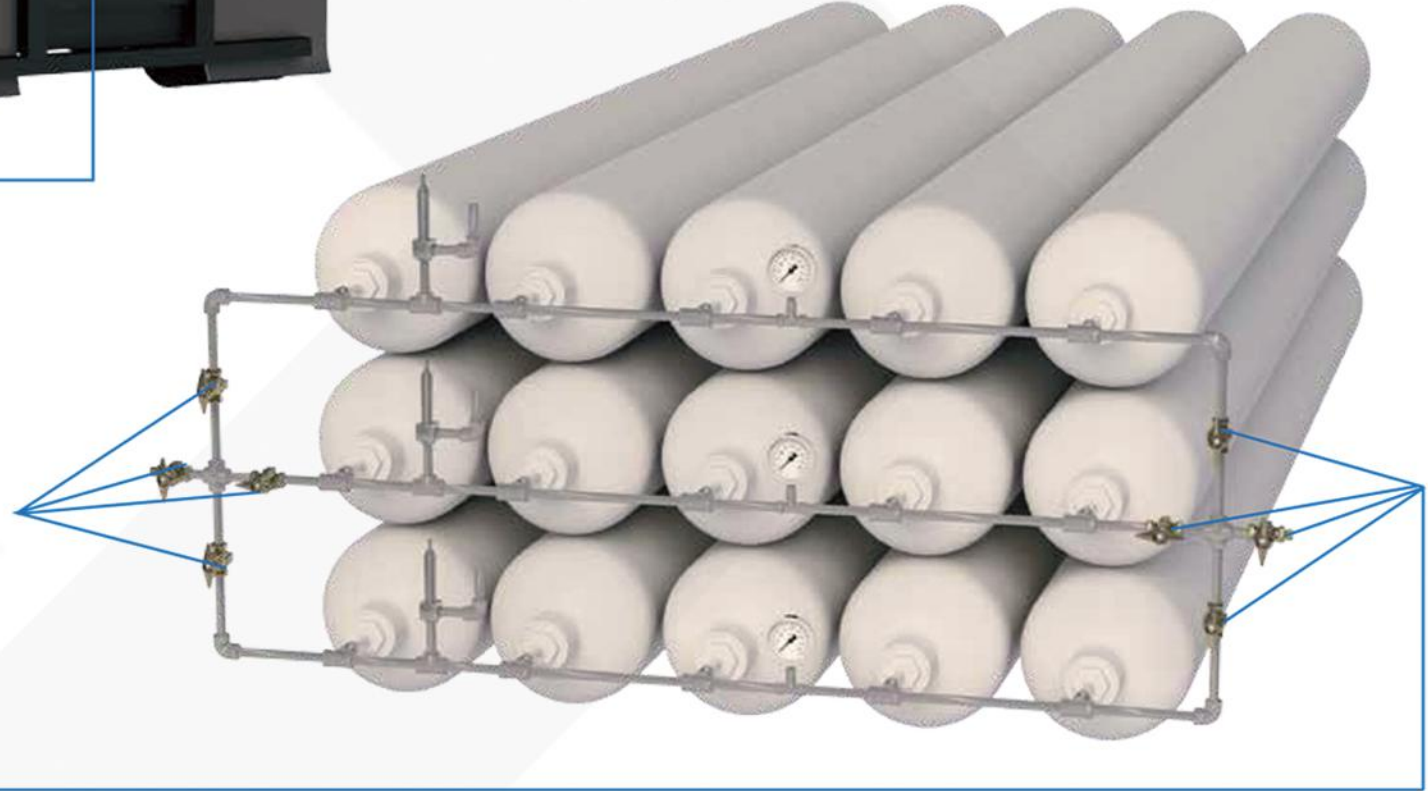
High pressure gas tube storage and transport

High pressure applications meet low maintenance solutions

Tube storage brings volume capabilities. A RegO valve brings years of safe, leak-free flow control to gas tube applications, as well as other high pressure manifold and piping systems. The HP9560 Series exhibits a very low operating torque under pressure for ease of manual operation.



HIGH PRESSURE GAS
MASTER VALVE
HP9560 SERIES

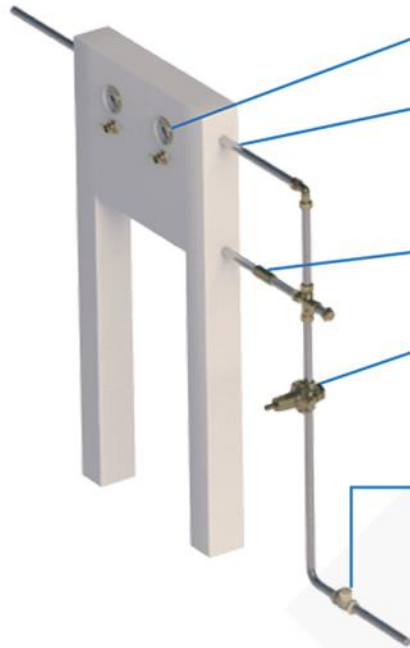


High and medium pressure manifold and delivery systems

We can handle all kinds of pressure

RegO has all the components you need to create your own system. Or you can tap our technical team's deep product and application knowledge and we will build to your specifications. Either way, you will get the benefit of RegO quality and innovation throughout to maintain steady pressure and excellent performance.

Medium and low pressure manifold and delivery systems



HORIZONTAL CHECK VALVE
8500 SERIES

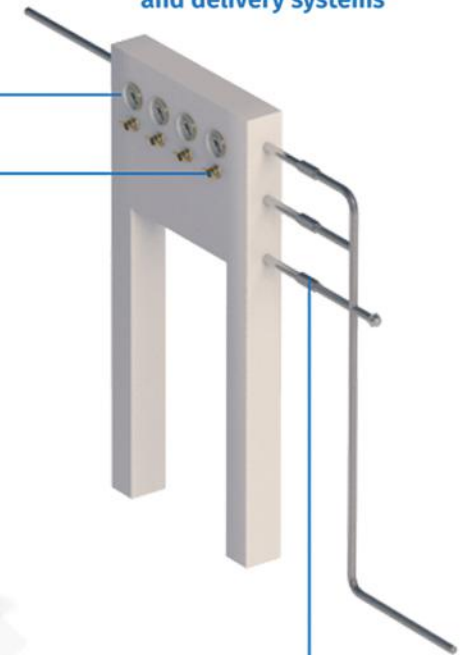
LINE REGULATOR
BR 1780 SERIES
1780 SERIES

CHECK VALVE
CG SERIES

PRESSURE GAUGE
15578 SERIES

HIGH PRESSURE GAS MASTER VALVE
HP9560 SERIES

High pressure manifold and delivery systems



APPLICATION

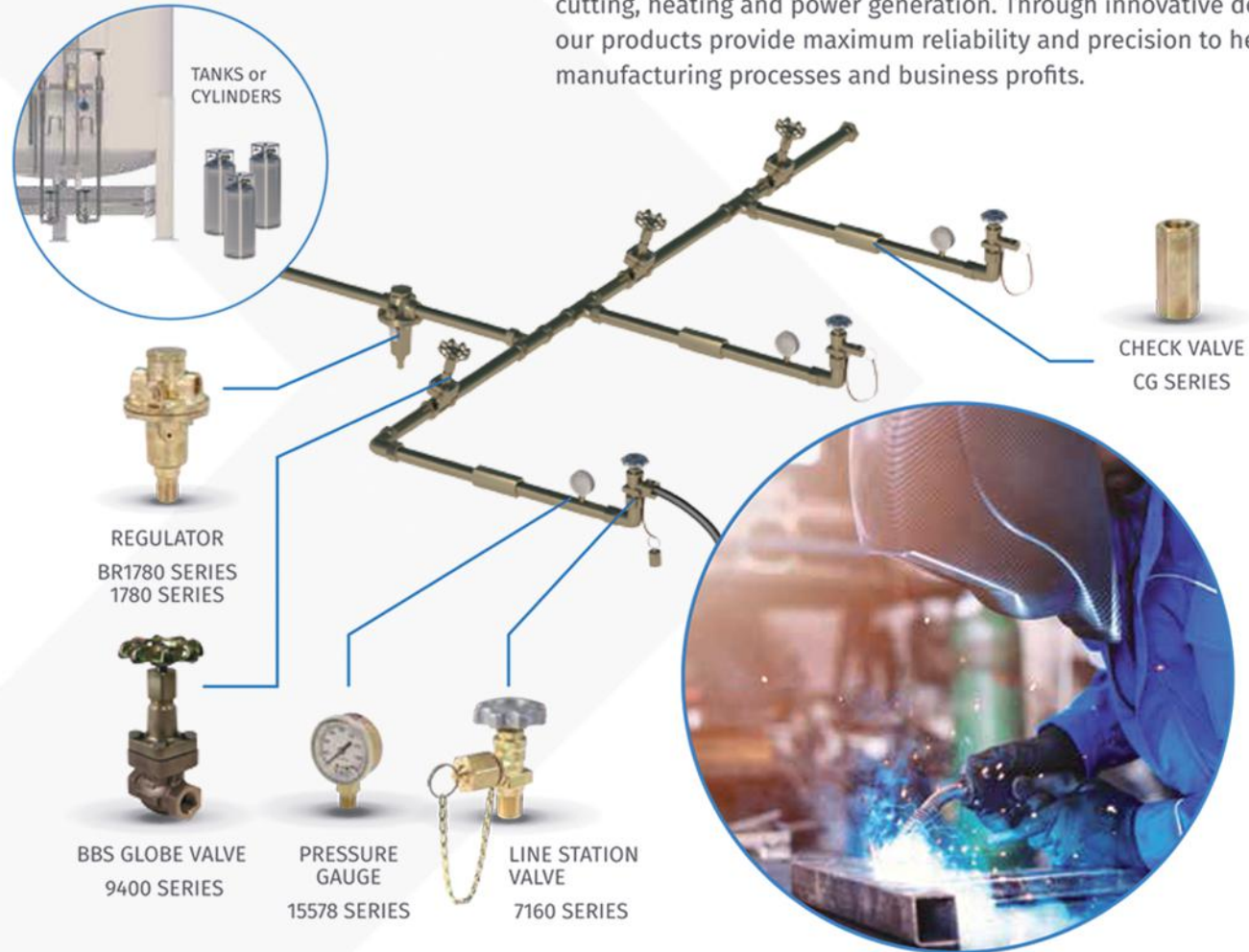
COMPRESSED GAS MANIFOLD SYSTEMS



Gas delivery systems

Reliable, on-demand industrial gas

RegO products manage gas for industrial applications, such as welding, cutting, heating and power generation. Through innovative design our products provide maximum reliability and precision to help fuel manufacturing processes and business profits.



The illustrations in this application guide are intended to inform a professional installer/system designer where our products are generally installed on certain containers or applications. These illustrations are not intended for and must not be used for system design.

Carbon dioxide delivery systems

We bring the “fizz” without the fuss

From the tank truck to the soda fountain, RegO products bring reliable, cost-effective carbon dioxide delivery—refill after refill.



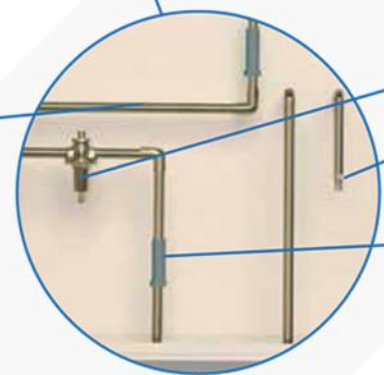
SHUT OFF VALVE
T9460 SERIES



LIQUID CYLINDER
REGULATOR
FUEL GAS DELIVERY
SYSTEMS
LCR SERIES



CARBON DIOXIDE
RELIEF VALVES
UA3149A SERIES



CHECK VALVE
CG SERIES



ASME RELIEF VALVE
C-19434B SERIES



LINE REGULATOR
BR1780 SERIES
1780 SERIES

The illustrations in this application guide are intended to inform a professional installer/system designer where our products are generally installed on certain containers or applications. These illustrations are not intended for and must not be used for system design.

LNG WORLD



Our service spectrum and scope of supply

ONE TEAM - ONE WORLD - ALL GASES

- › LNG storage tanks up to 350 m³
- › LIN-LOX-LAR storage containers up to 350 m³
- › LNG, LPG tank container
- › LIN-LOX-LAR ISO tank container
- › LNG HCP Regasification units (High Capacity Production)
- › LNG-SAT BLOC Regasification unit for flexible supply (Plug'n'Play)
- › Regasification units for LPG
- › Dispensers (LNG, LPG, CNG)
- › Complete filling stations (LNG & L-CNG combined lines)
- › Complete CNG and LPG filling stations
- › Cryogenic pumps
- › Natural gas compressors
- › Measuring units
- › Complete LPG program
- › Peripheral LNG/CNG equipment such as valves, shut-off valves, etc.



Flüssiggas-Anlagen GmbH
Peiner Straße 217, D-38229 Salzgitter/Germany
T: +49 (0) 5341 8697-30, www.fas-engineering.de, info@fas-engineering.de

